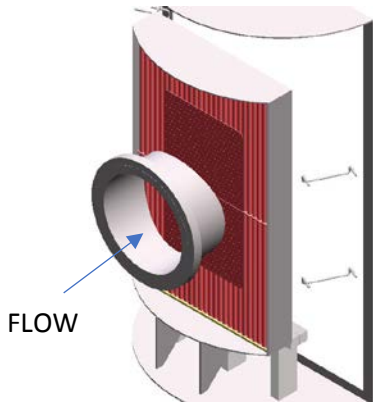
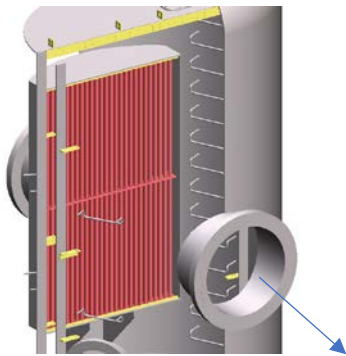


**Steam Scrubber
Internal Section View**

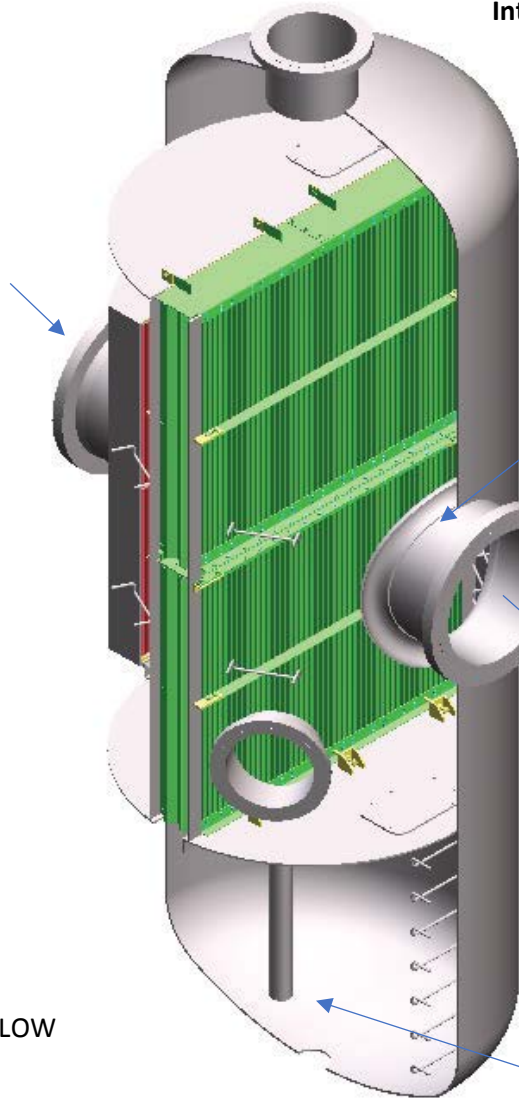
- High Steam Quality
- Low Pressure Drop
- Proven Heavy Duty Internal Construction



Views of First Stage
AIROL® Multi-Pipe Diffuser,
with Perforated Plate.



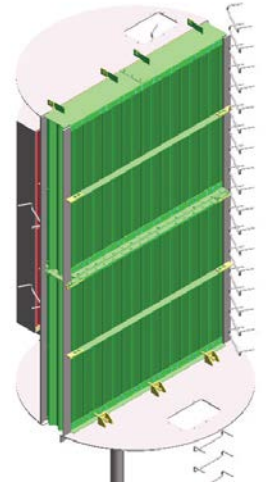
FLOW



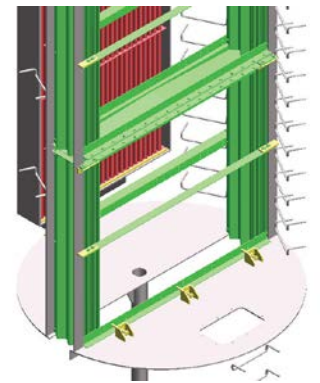
Outlet Bell-Mouth,
Low Pressure Drop.

FLOW

High Liquid
Storage Capacity



Views of Second Stage
AIROL® 440HX100 Chevrons
with mid-level drainage sump.



**AIROL® VERTICAL 2-STAGE
DIFFUSER AND CHEVRON STEAM SCRUBBER**